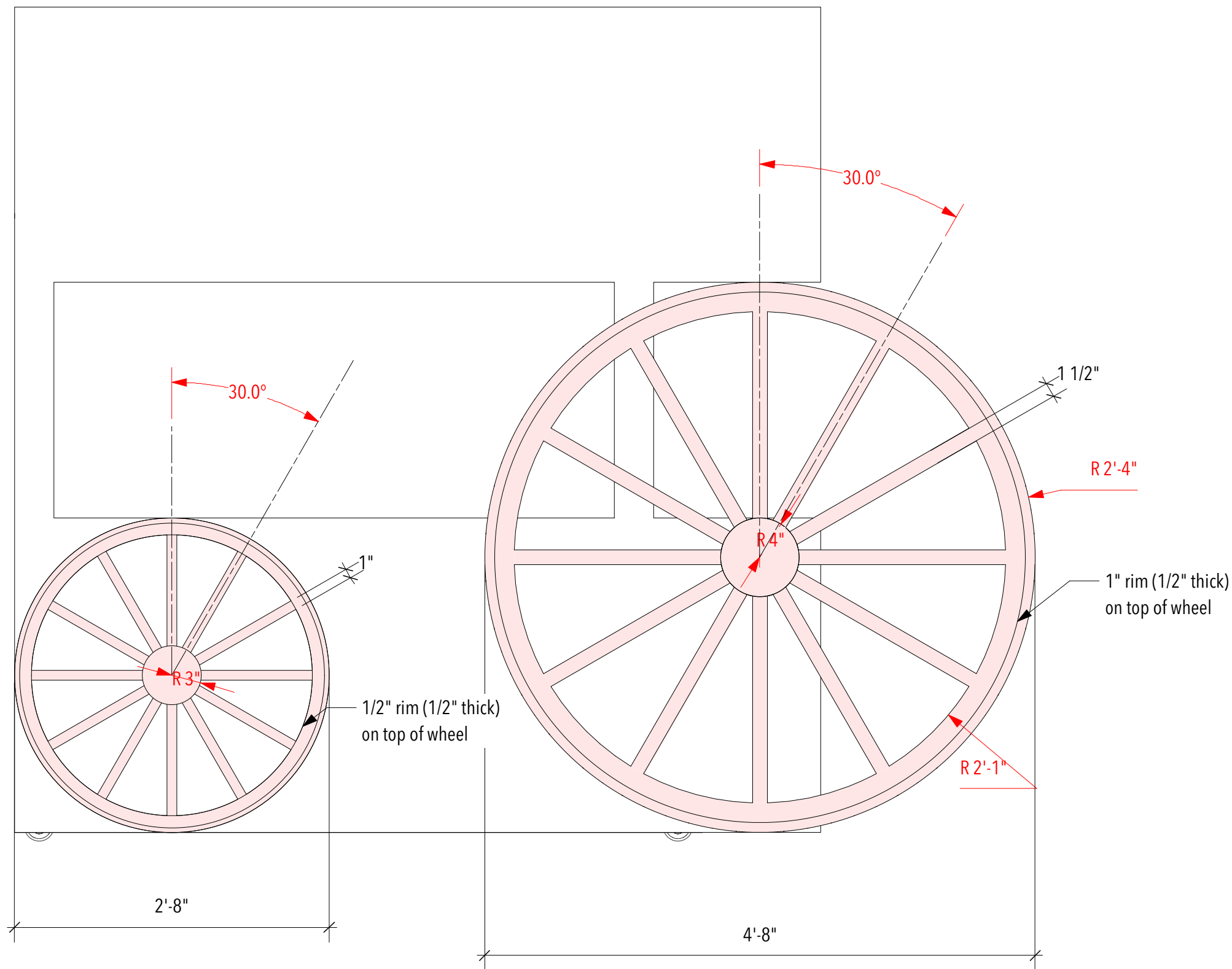


THE MUSIC MAN

Directing: Whitney Branan
 Costume Design: Camilla Morrison
 Lighting Design: Alice Trent
 Sound Design: Richard Sprecker
 Technical Directing: Meghan Potter
 Scenic Design: Inseung Park
 Drafting: Inseung Park



NOTE:

- Two carriage wheels: Ideally build two wheels in pink
- If no budget, build only big wheel, small wheel will be painted
- Big wheel: 4'-8" diameter, 12 spokes - every 30 degree angle, hub flange 8" diameter, 1" thick
- small wheel: 2'-8" diameter, 12 spokes, hub flange 6" diameter
- 1" thick wheel
- two wheels are attached on the back of the train unit for Wells Fargo scene

TEXAS SHAKESPEARE FESTIVAL

Wells Fargo Wheel

Scale: 1"=1'-0"

Date: May 1, 2022



S.D. 13829
 SCENIC DESIGNER

SIGNATURE *Inseung Park*