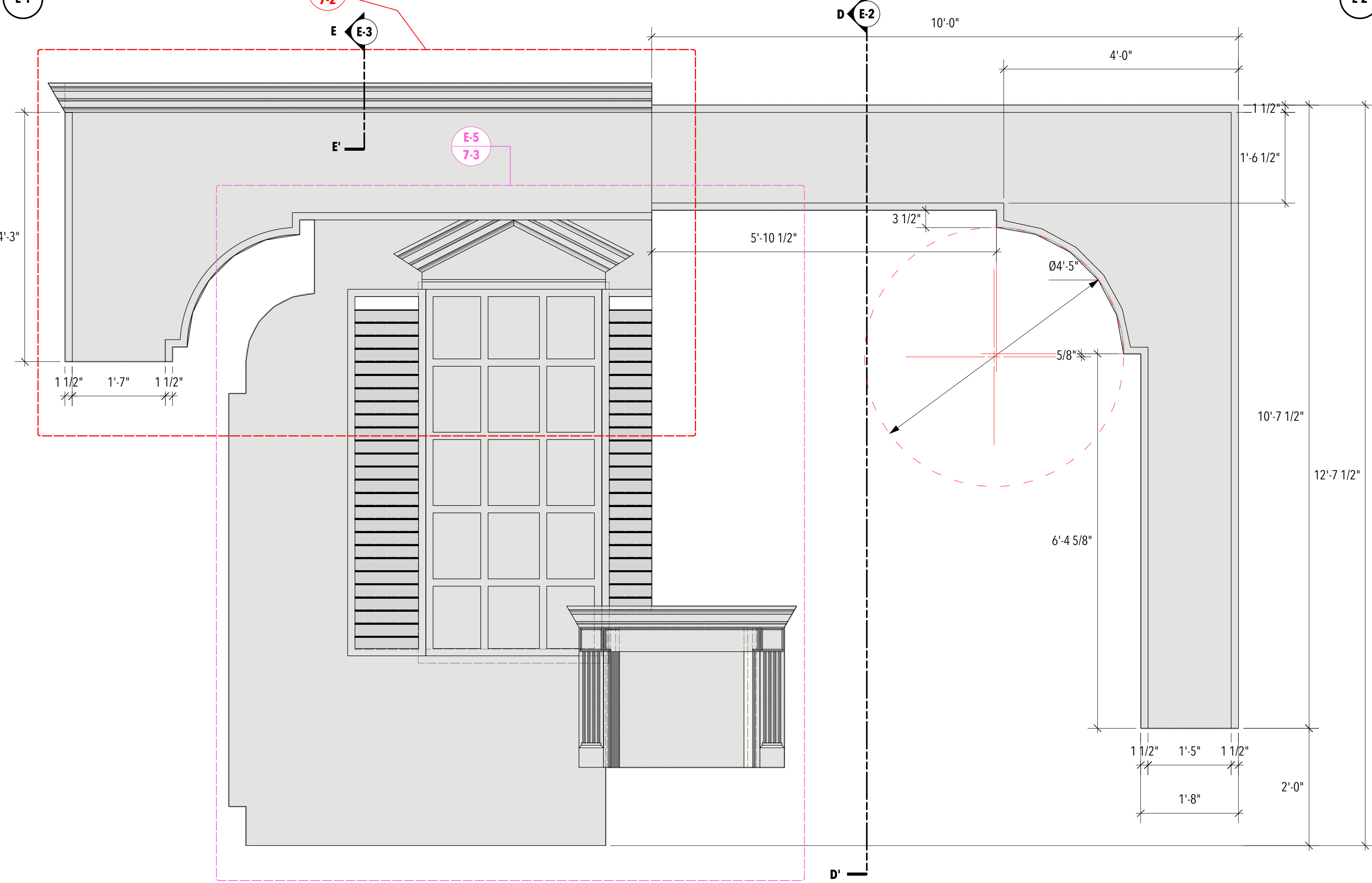
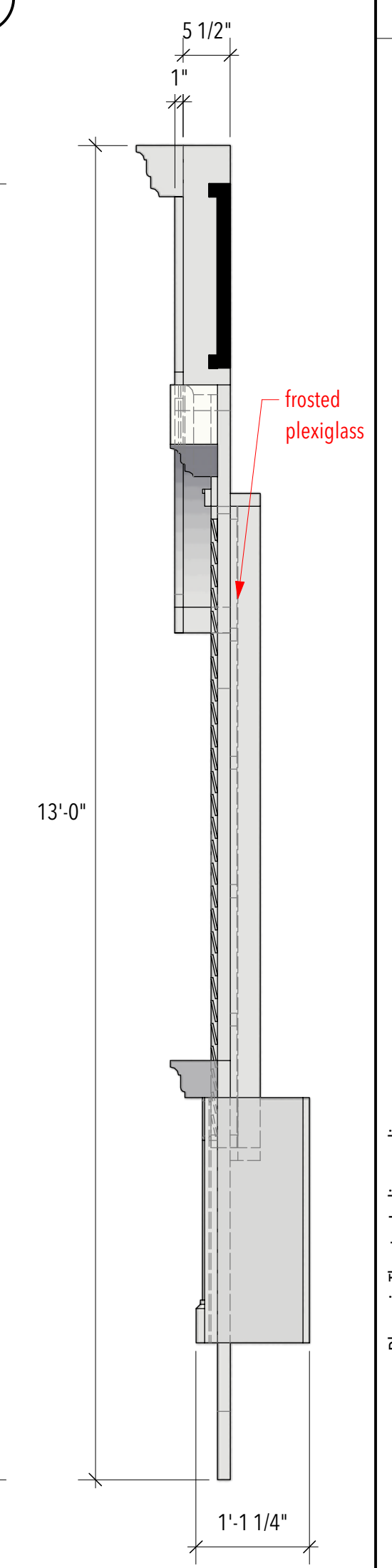


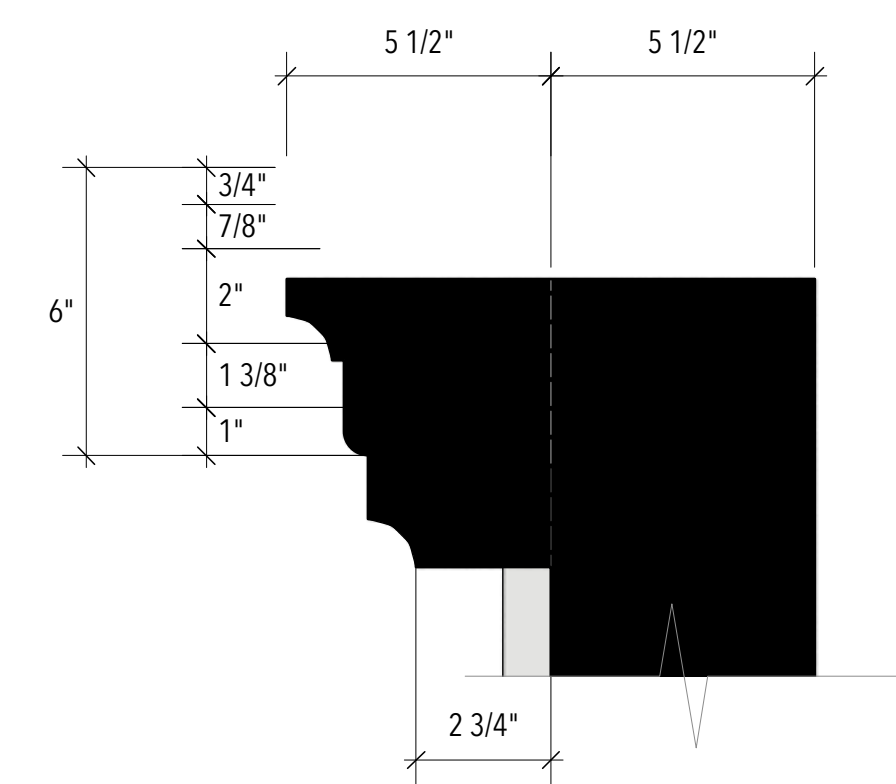
**E-1 assemblage unit: front**



**E-2 assemblage unit: section DD'**



**E-3 crown molding section EE'**  
Scale: 3" = 1'-0"



assemblage unit

Date: Nov 4, 2019

**THE AGITATORS**

Scale: 3/4" = 1'-0"

Phoenix Theatre Indianapolis

Drafter: Inseung Park

Director: Mikael Burke  
Scene Designer: Inseung Park  
Technical Director: Zac Hunter