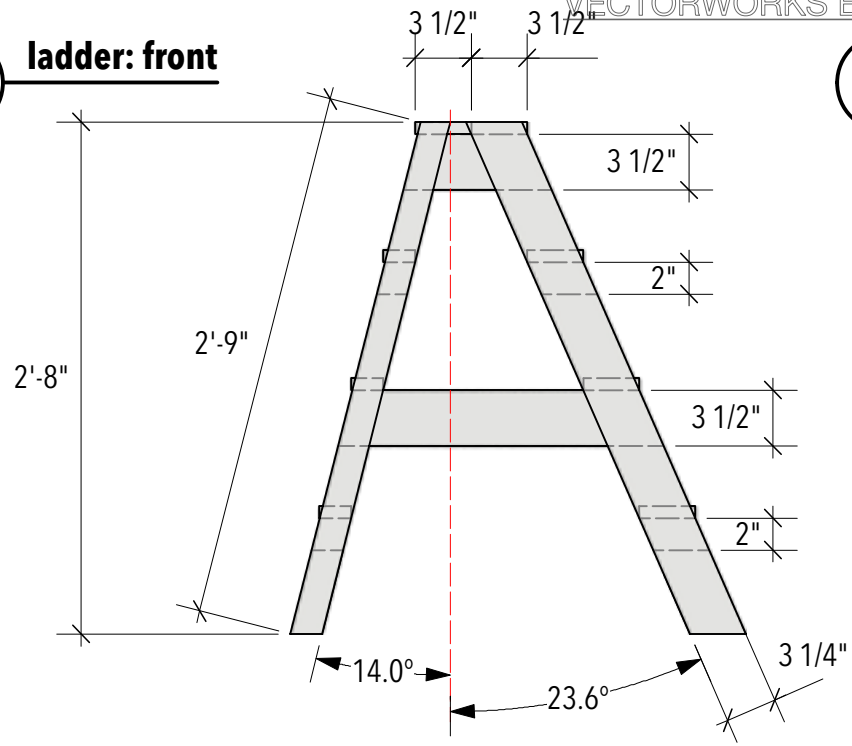
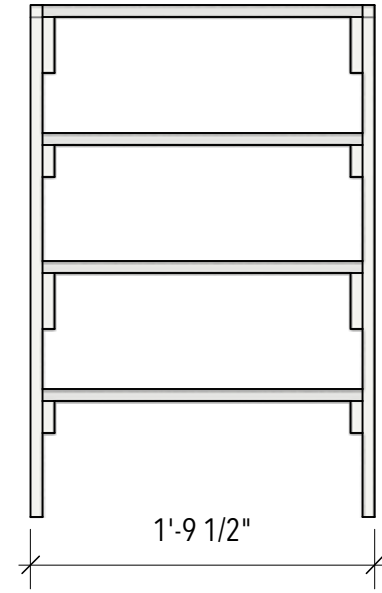


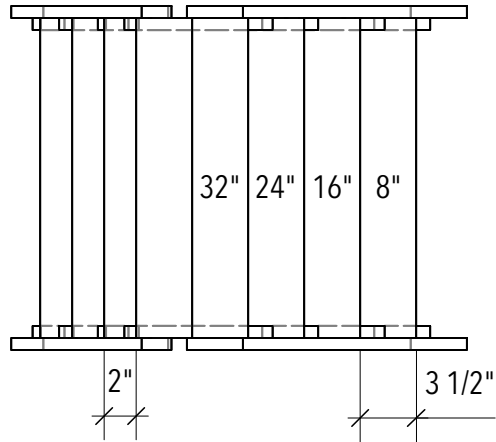
E-1 ladder: front



E-3 ladder: right



E-2 ladder: plan



E-4 ladder: isometric

