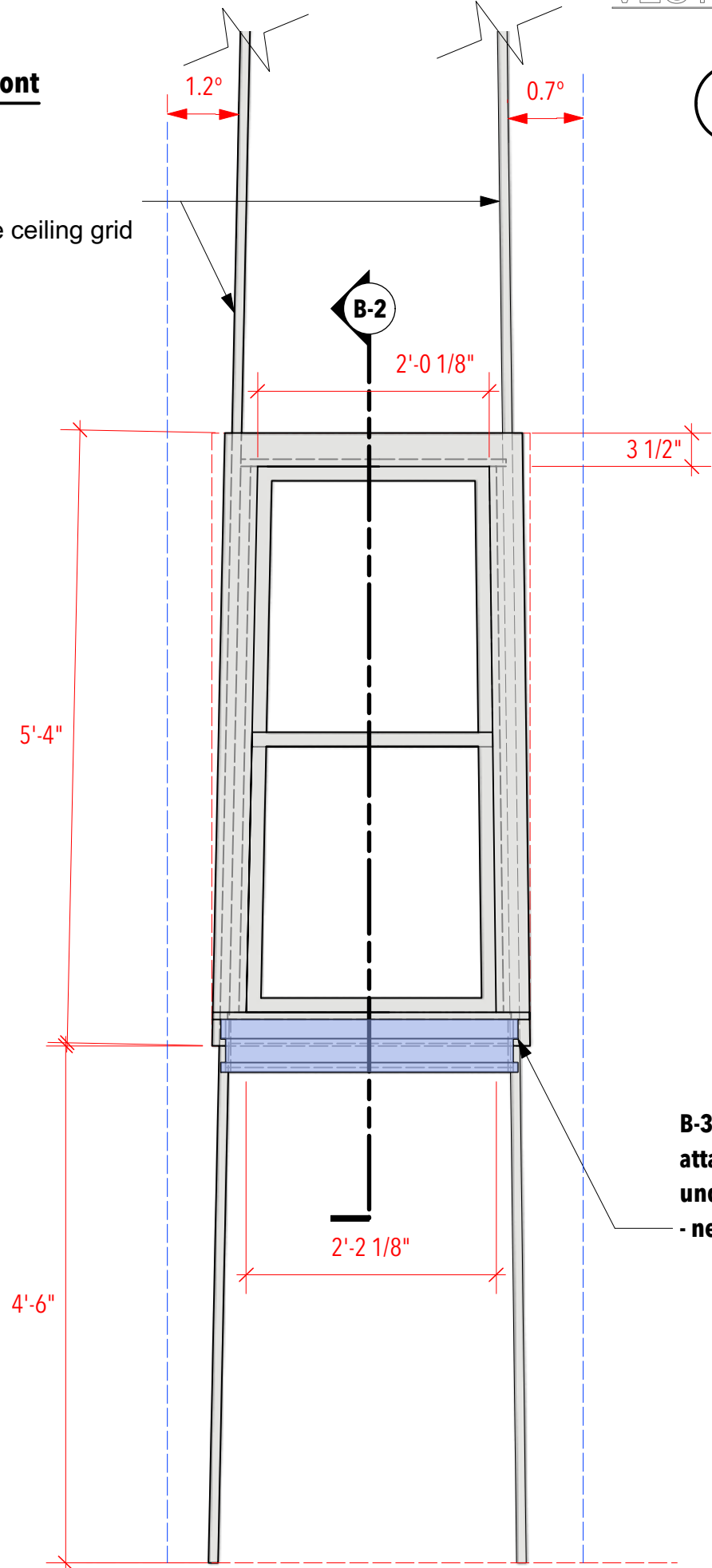
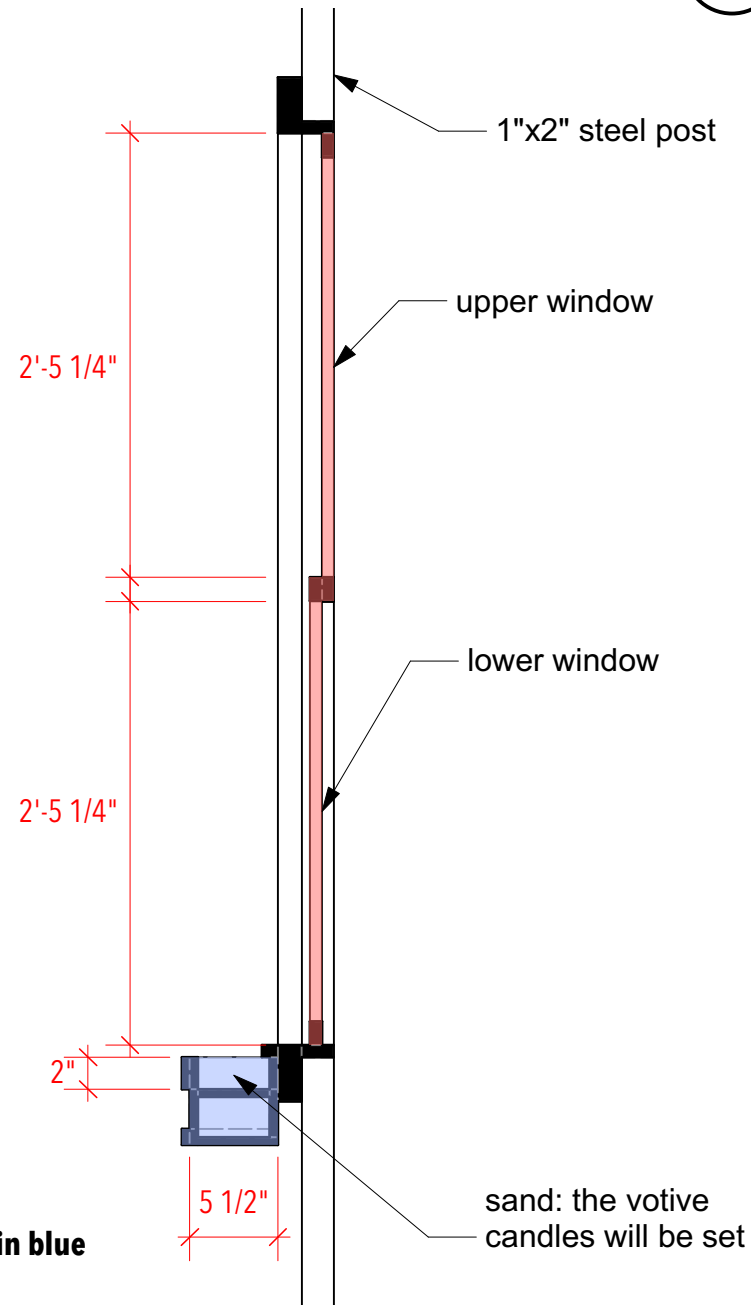


B-1 window 1: front

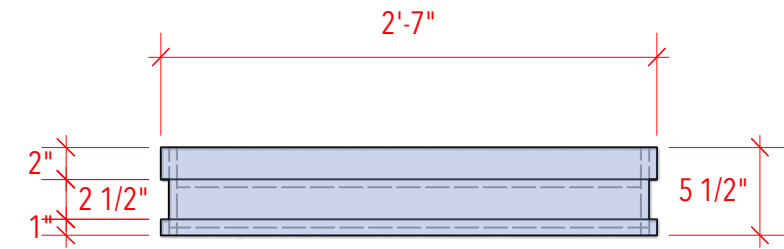
1"x2" steel:
all the way to the ceiling grid



B-2 window 1: section
Scale: 1" = 1'-0"



B-3 window box: front
Scale: 1" = 1'-0"



B-3: window box in blue
attached
under the window sill
- need three boxes

window box reference

