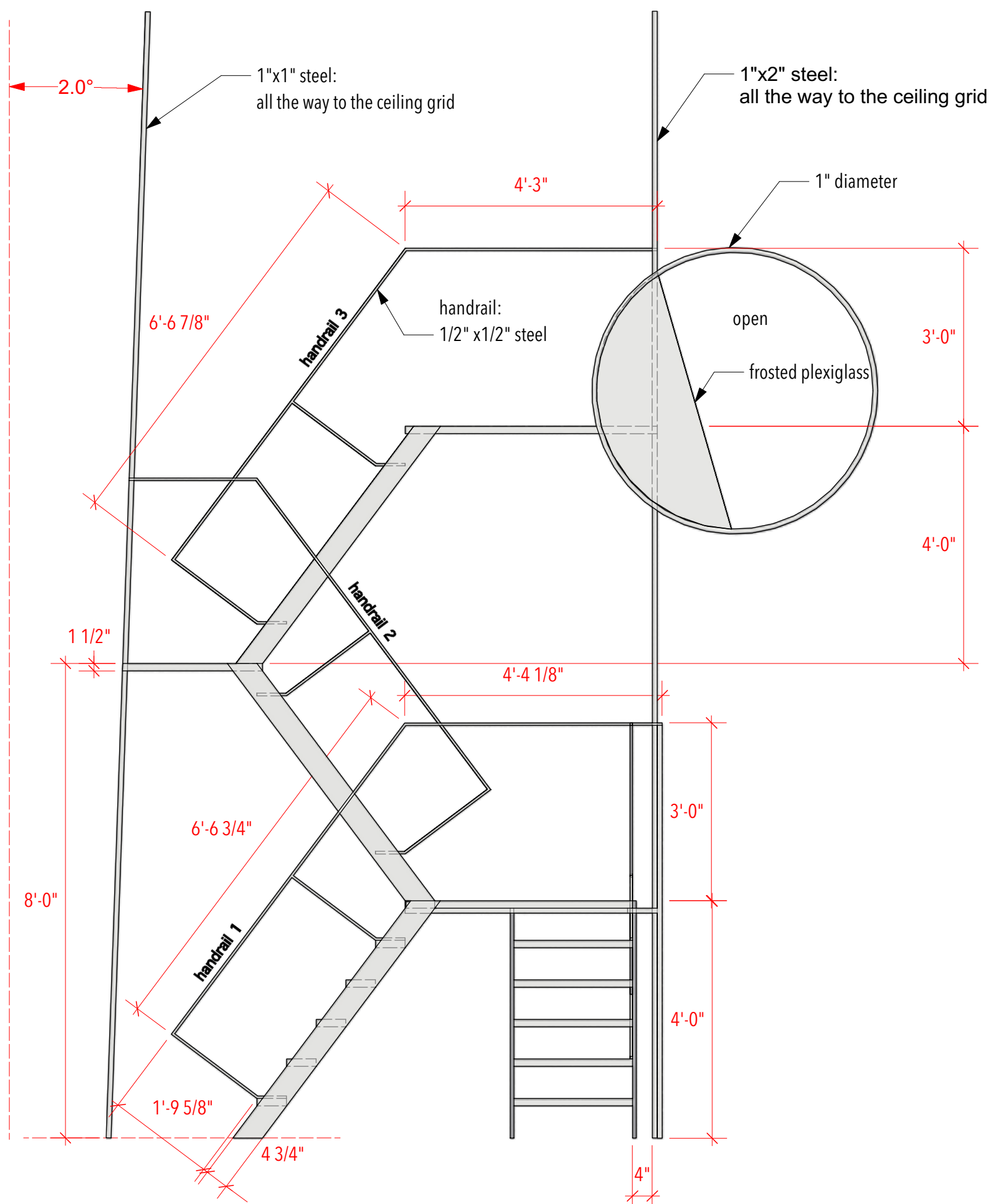
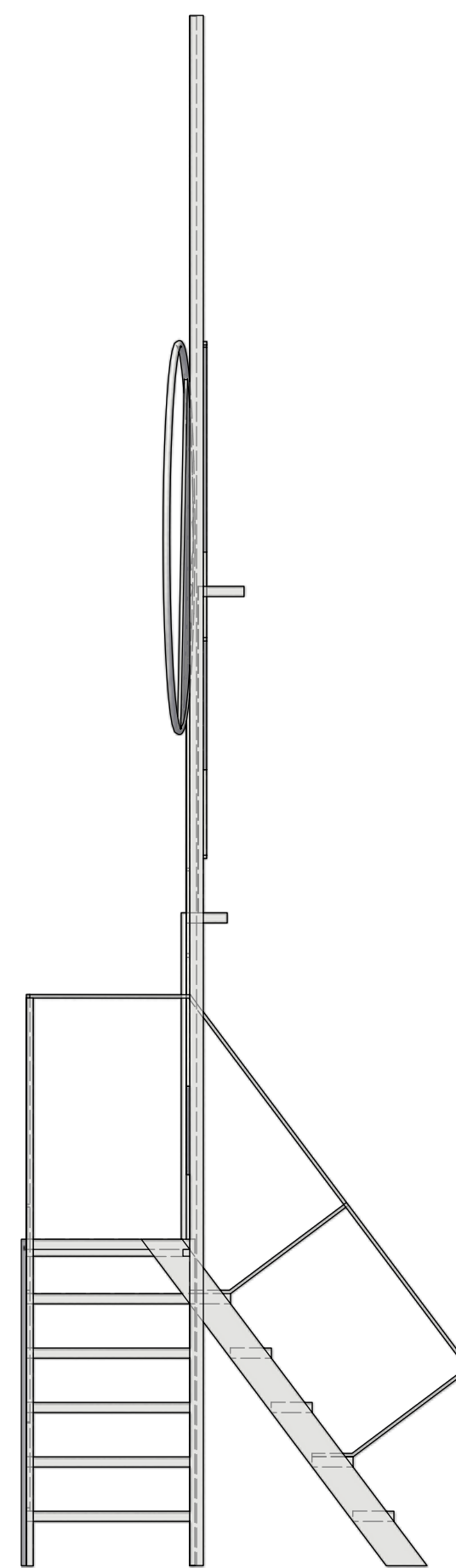


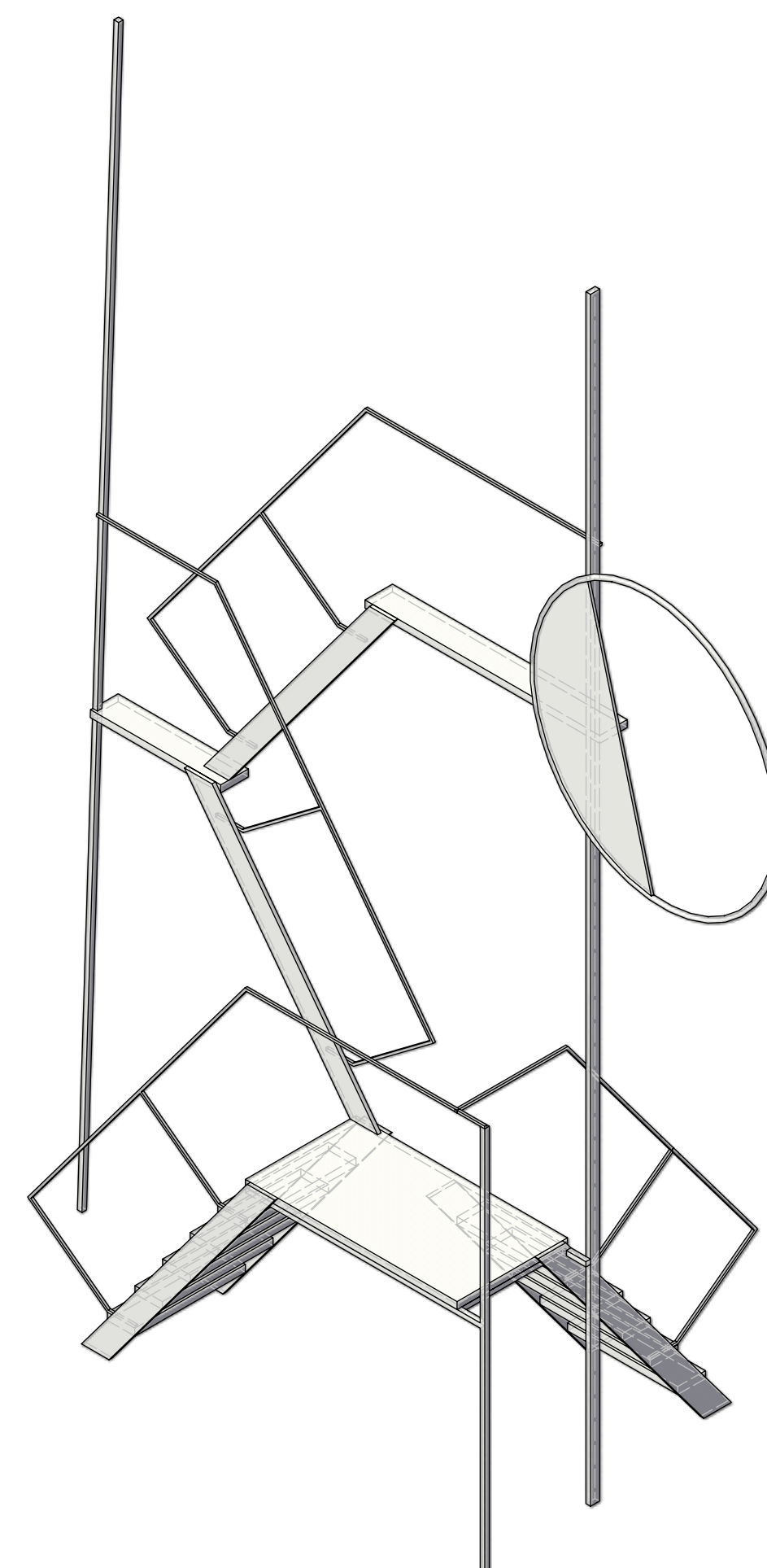
A-1 platform: front



A-3 platform: right



A-4 platform: isometric



A-2 platform: top

