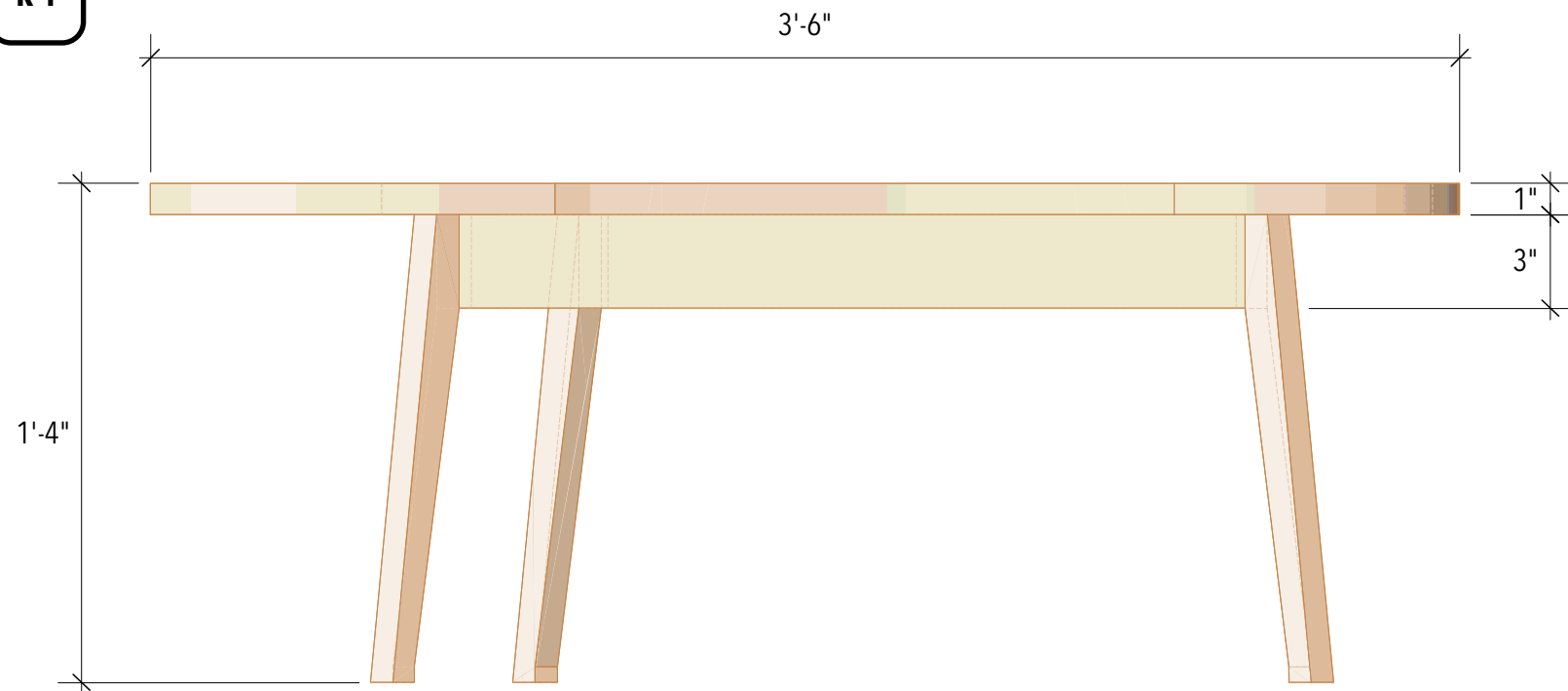
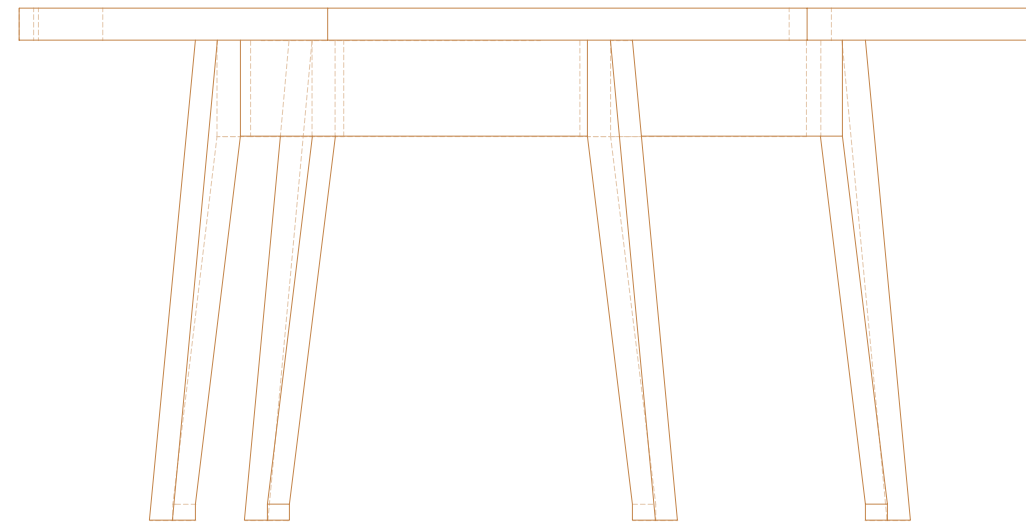


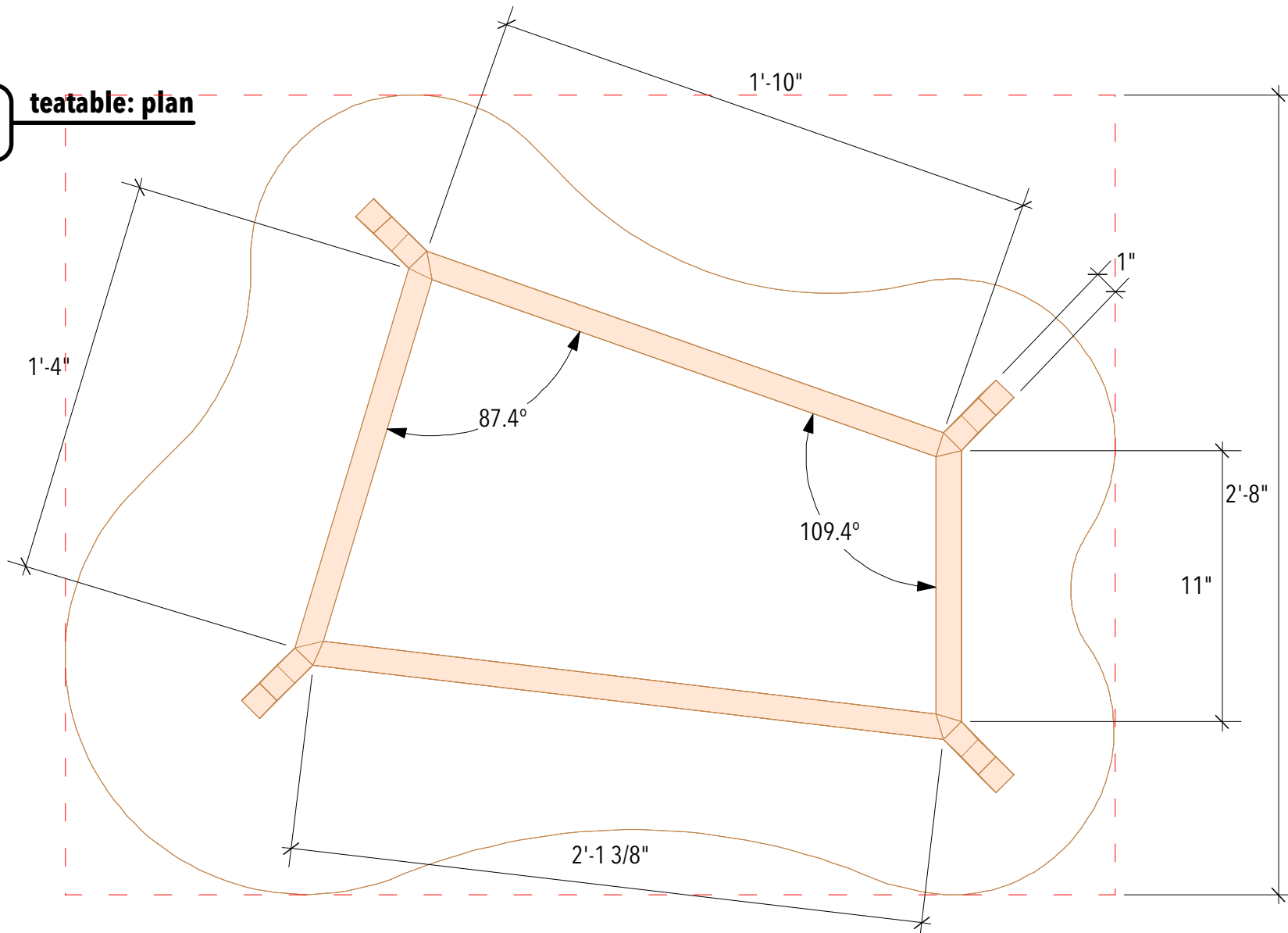
K-1 tea table: front



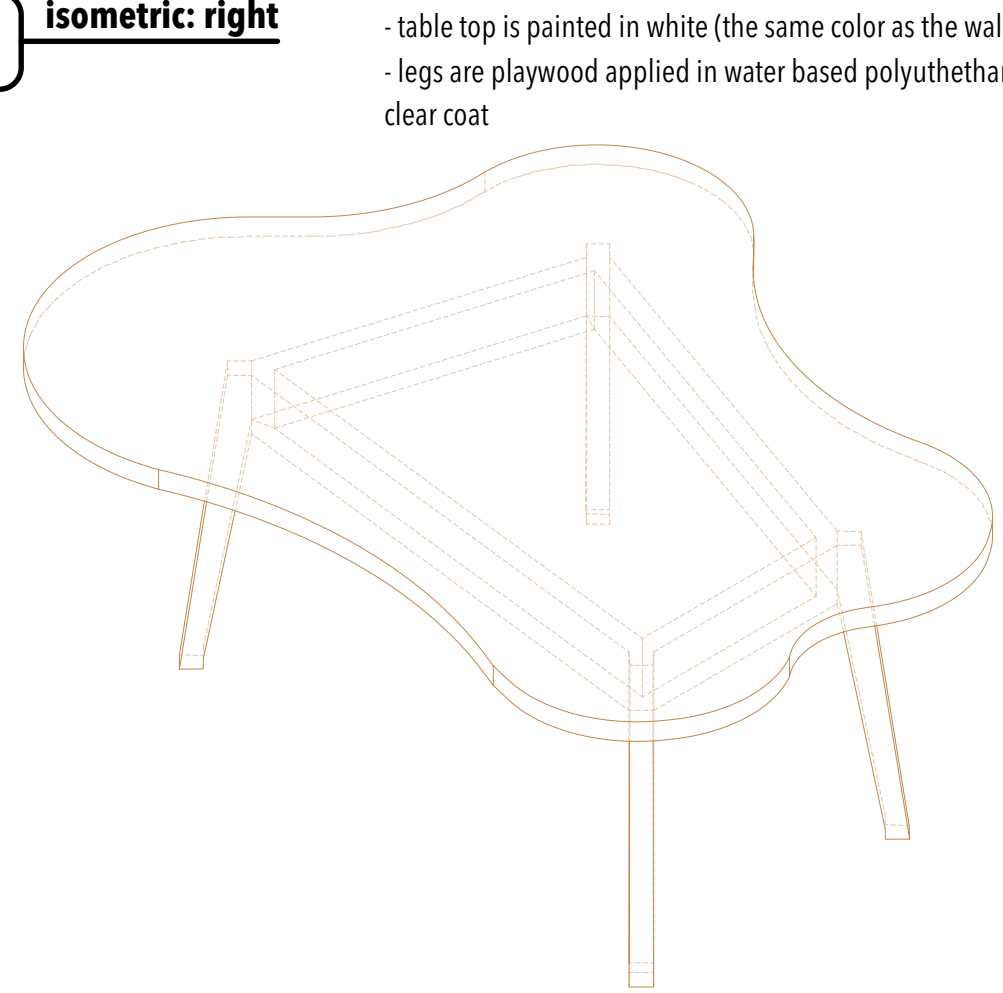
K-3 teatable: side



K-2 teatable: plan



K-4 isometric: right



- table top is painted in white (the same color as the walls)
 - legs are playwood applied in water based polyurethane clear coat