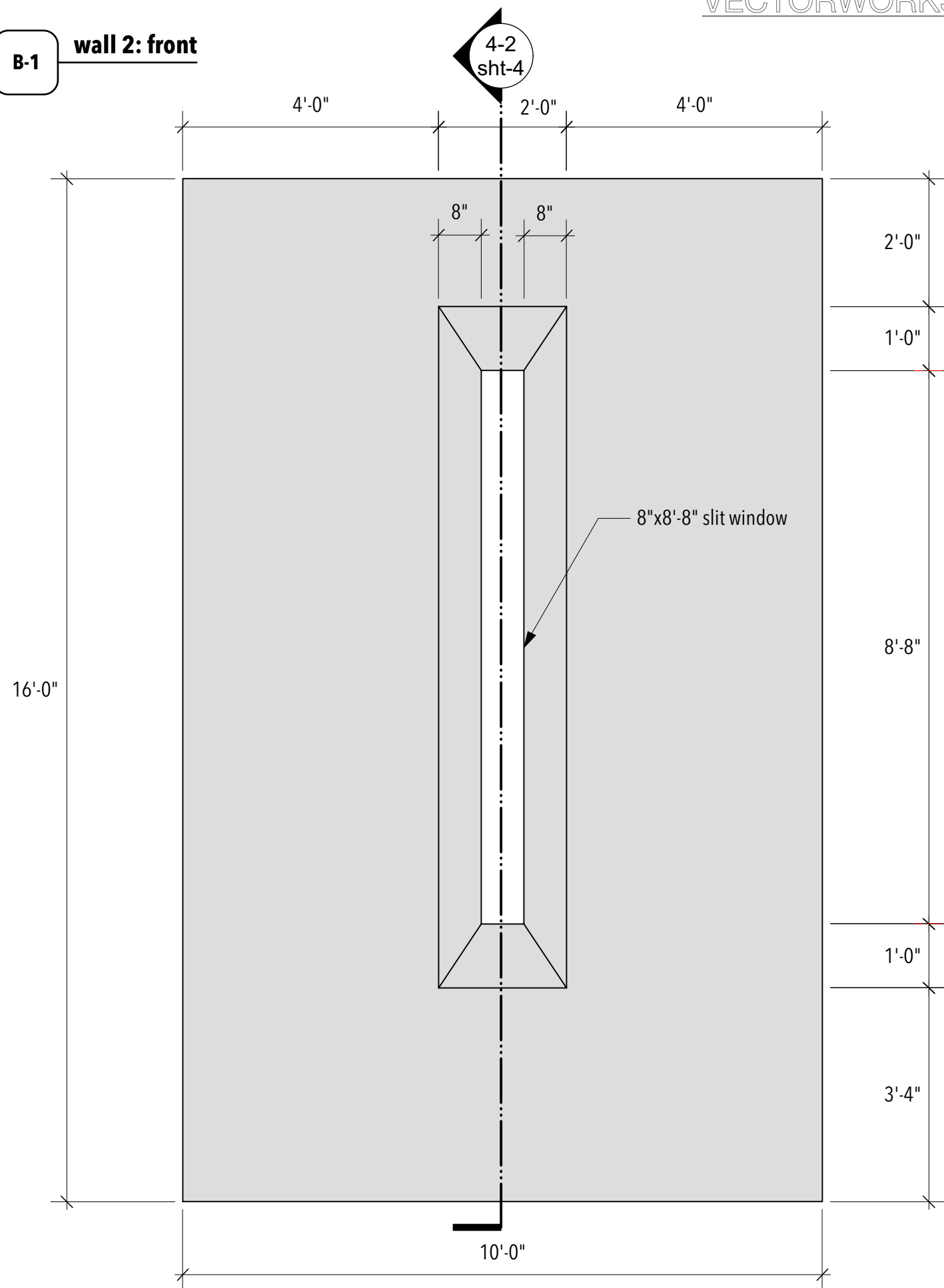
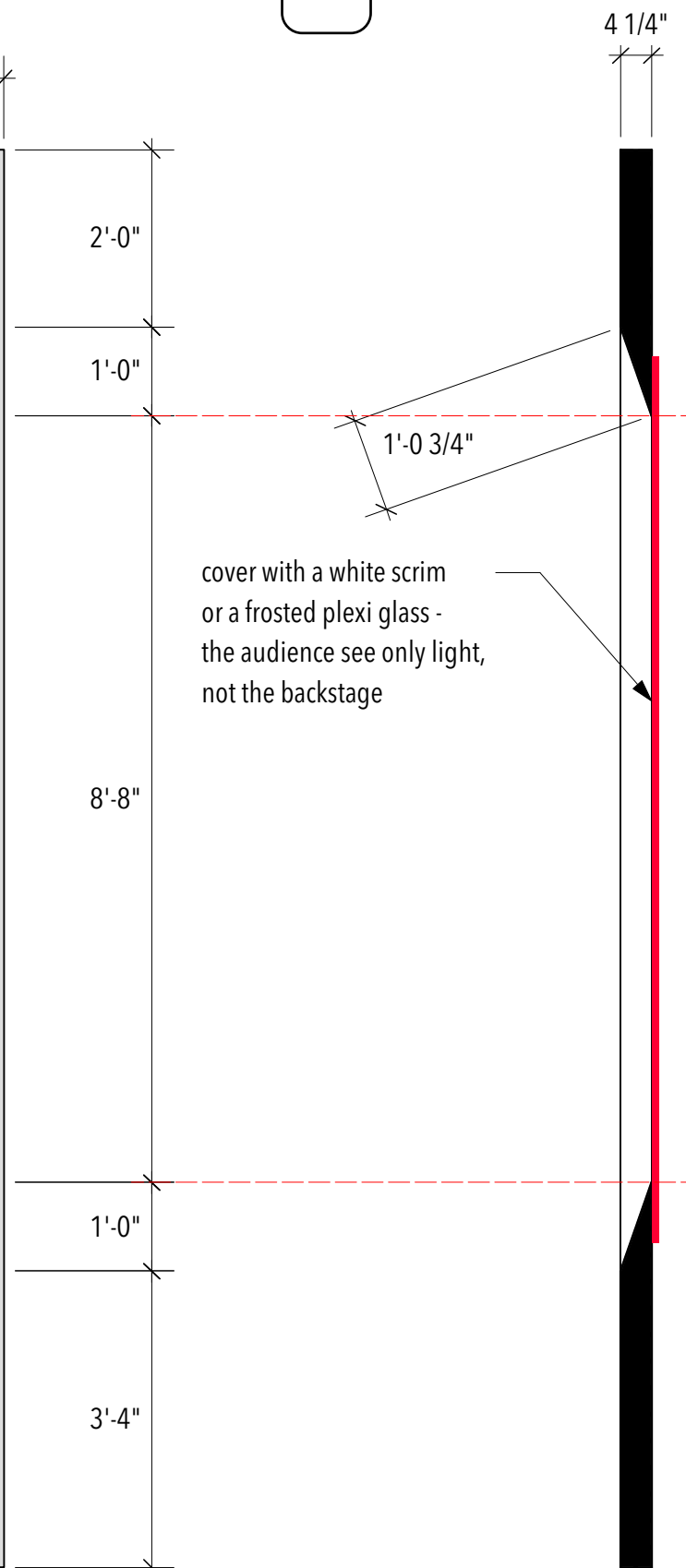


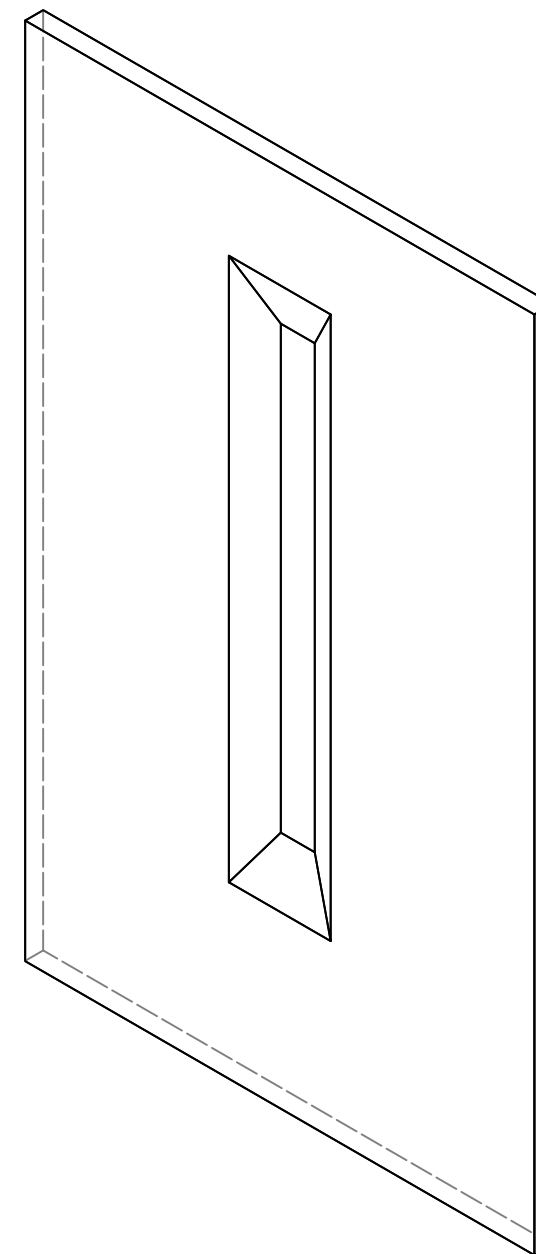
**B-1 wall 2: front**



**B-2 wall 2: section**



**B-3 wall 2: isometric**  
Scale: 3/8" = 1'-0"



**Note:**  
Wall 2 and Wall 4 are the same  
in dimension and style