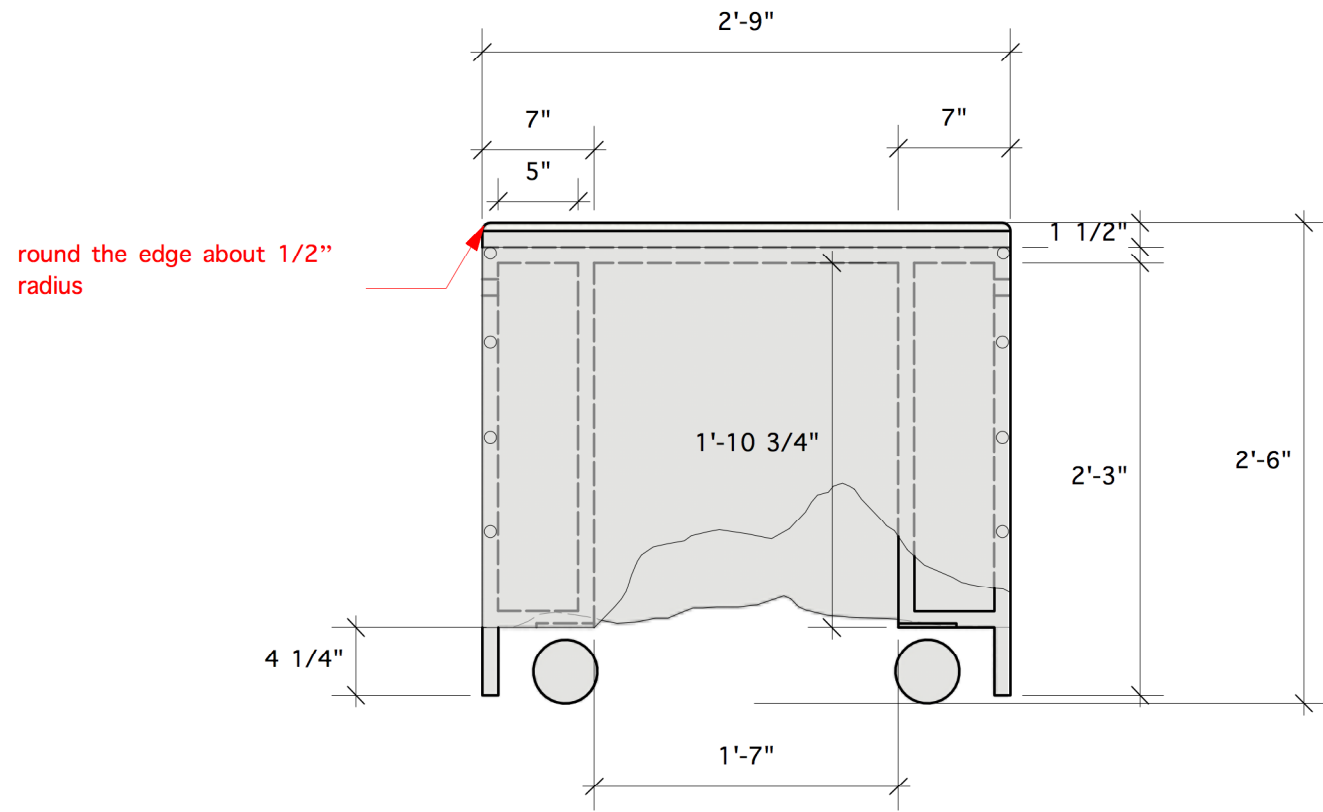
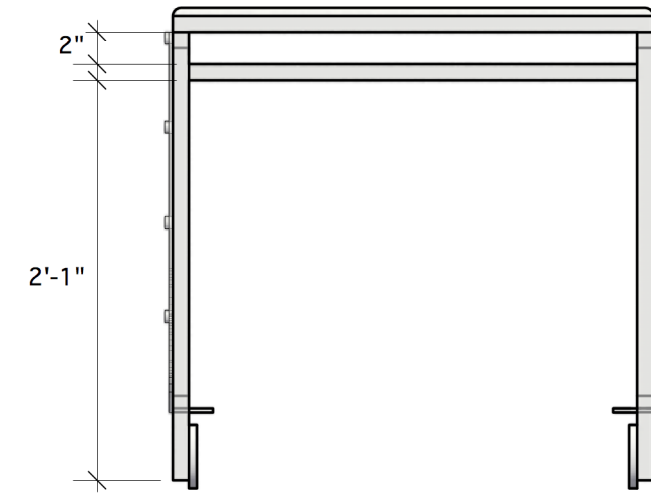


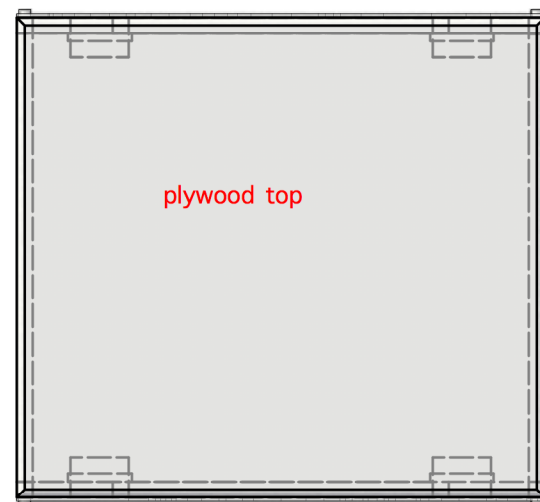
G-1 Table: Front
Scale: 1" = 1'-0"



G-3 Table: Right
Scale: 1" = 1'-0"



G-2 Table: plan
Scale: 1" = 1'-0"



- Note:
- all steels are 1"x 1"
 - reveal a raw material: steel and plywood
 - put several coats of water based polyurethane clear satin on plywood
 - Do not fake the actual wood material like steel if built out of 2x4 lumber
 - only 1/4" plywood needs to be painted like steel

G-4 Table: right isometric
Scale: 1" = 1'-0"

