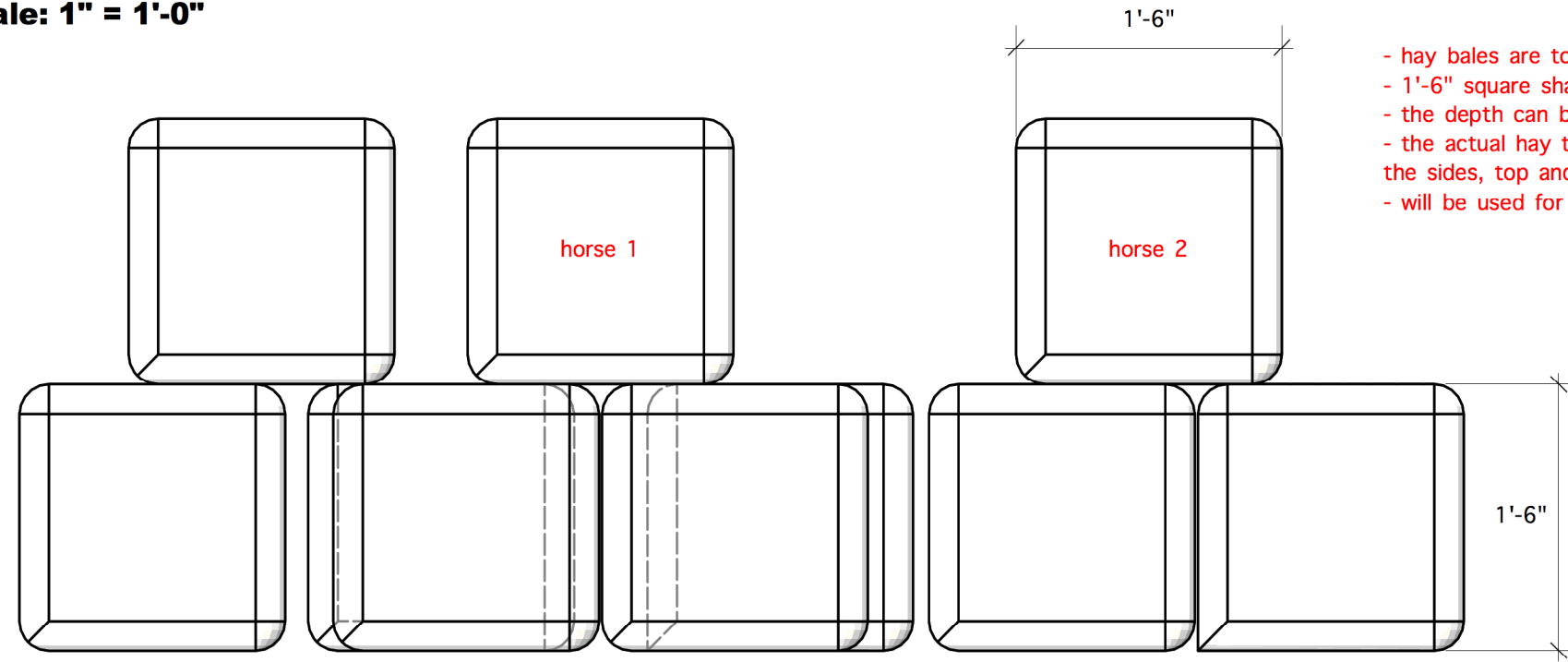


**D-1 hay bale: front**  
Scale: 1" = 1'-0"



- hay bales are total 10
- 1'-6" square shape
- the depth can be varied: see the dimensions
- the actual hay texture should be attached to the sides, top and front of the surface
- will be used for horse scenes as a horse

**D-2 hay bale: plan**  
Scale: 1" = 1'-0"

