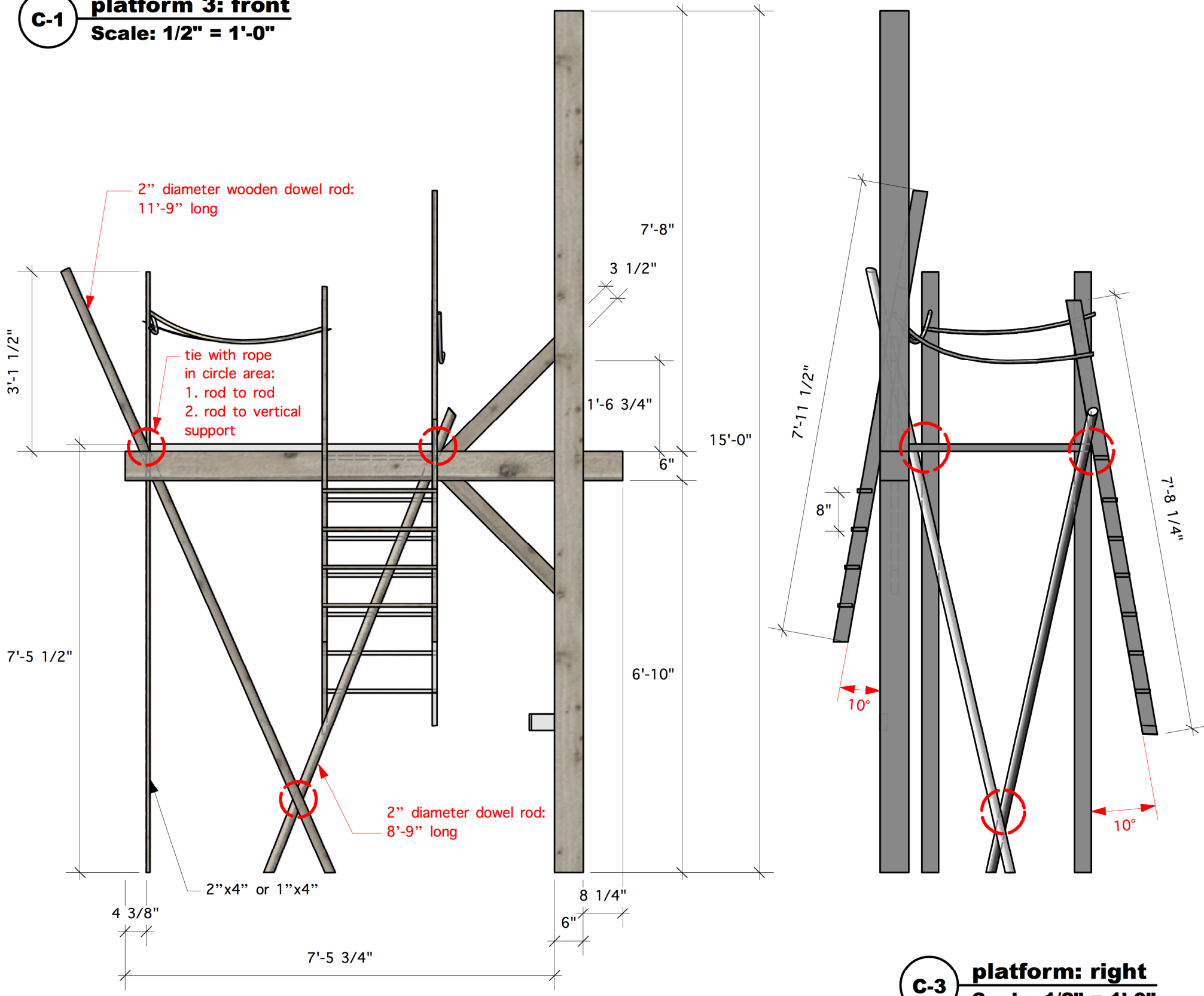
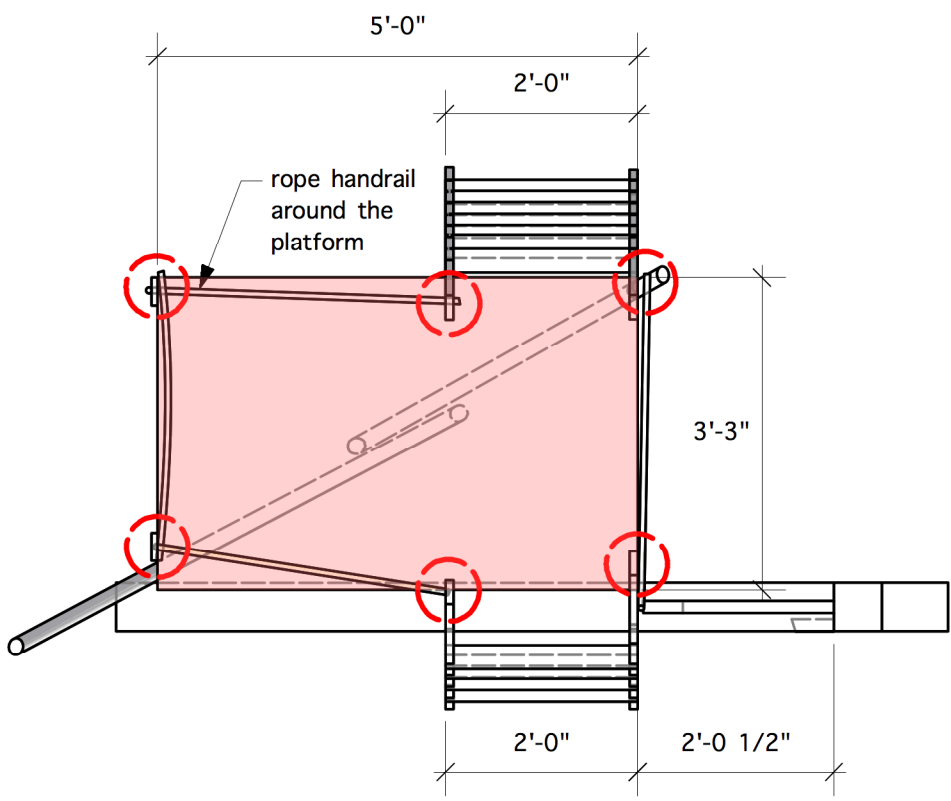


C-1 platform 3: front
Scale: 1/2" = 1'-0"

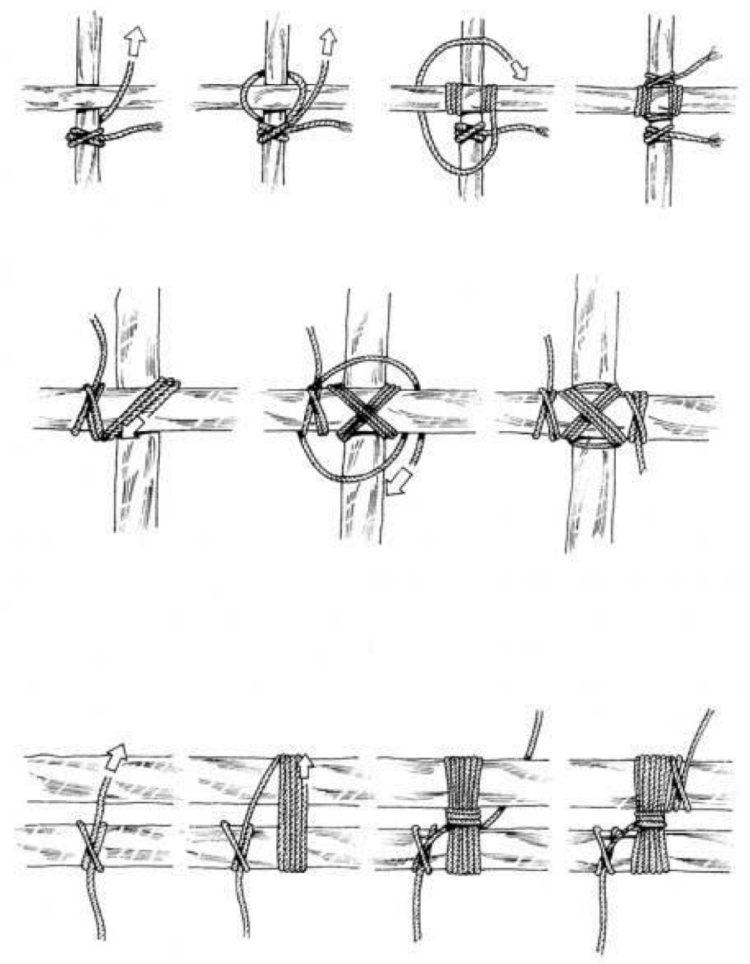


C-3 platform: right
Scale: 1/2" = 1'-0"

C-2 platform 3: plan
Scale: 1/2" = 1'-0"



sample knot in red circle area



Director: Timothy L'Ecuyer
Scene Designer: Inseung Park
Technical Director: Andrew Stuart

MARY'S WEDDING

Drafter: Inseung Park

Scale: 1/2" = 1'-0"

platform 3

Date: Oct 12, 2018