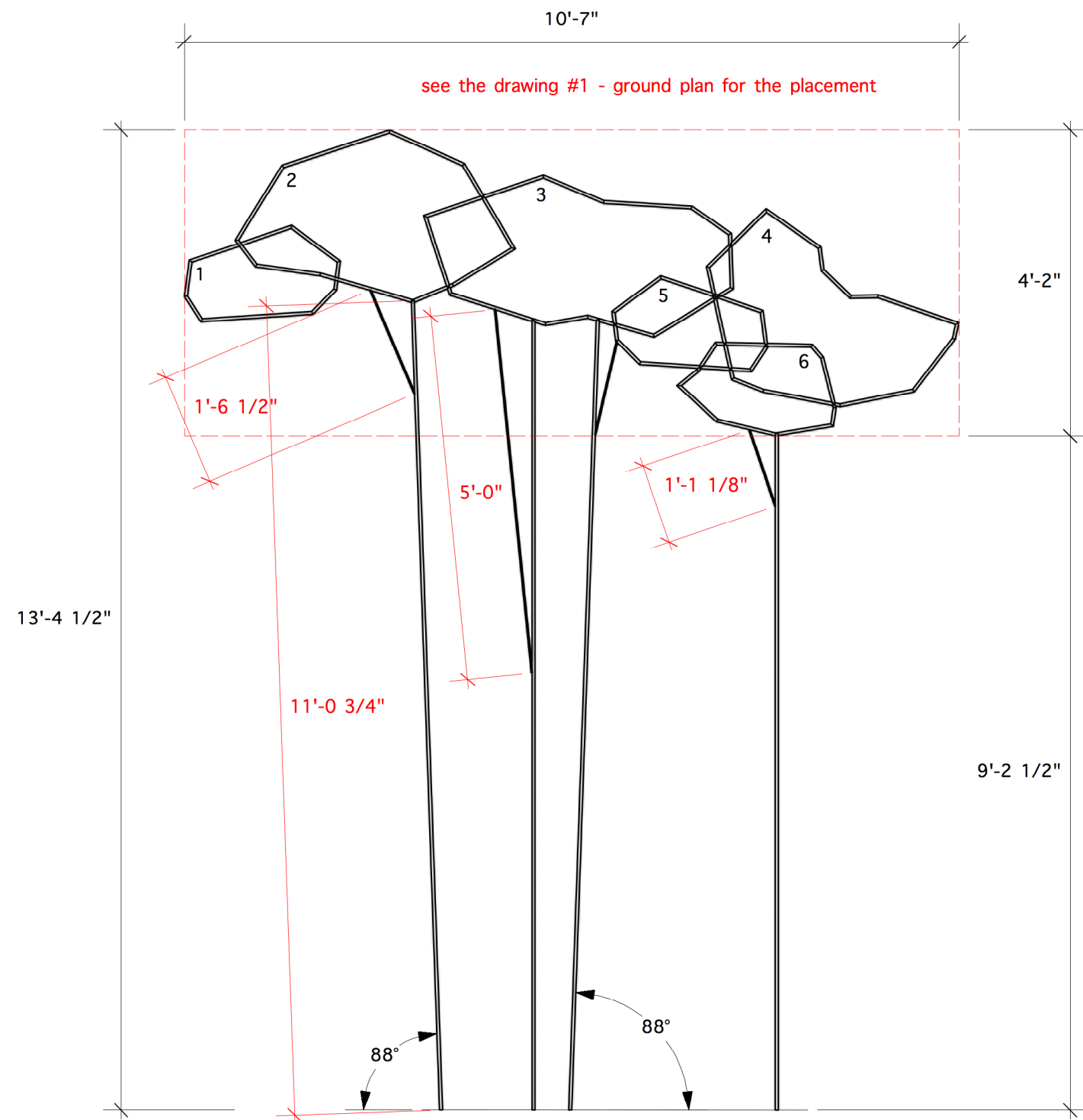
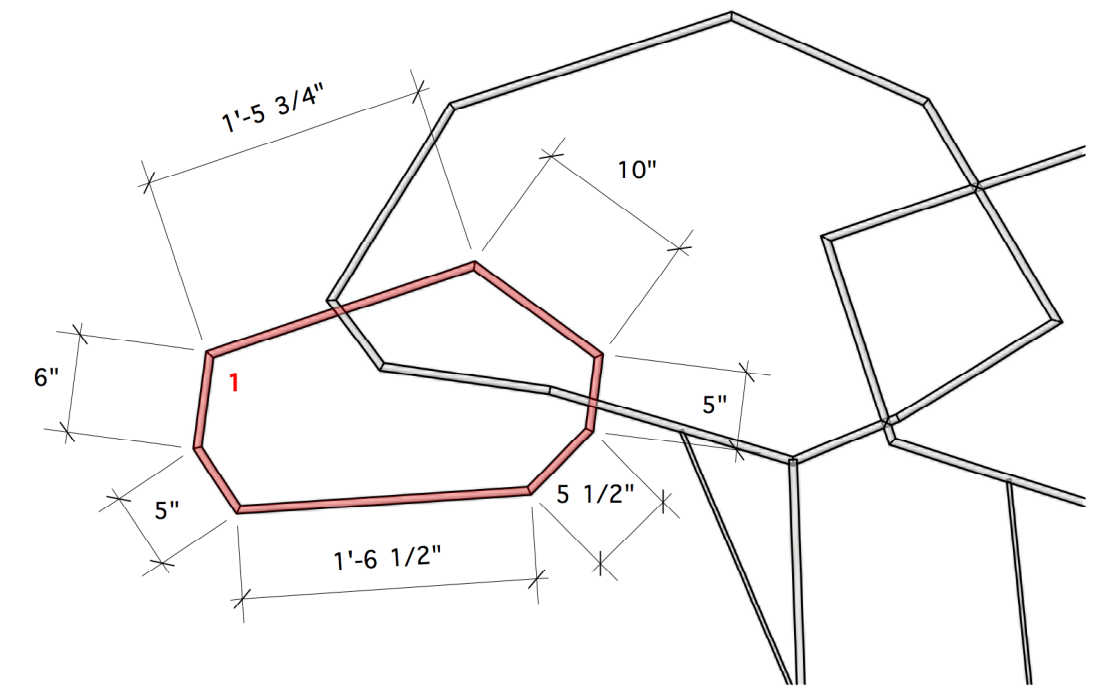


D-1 milkwood: front
Scale: 1/2" = 1'-0"

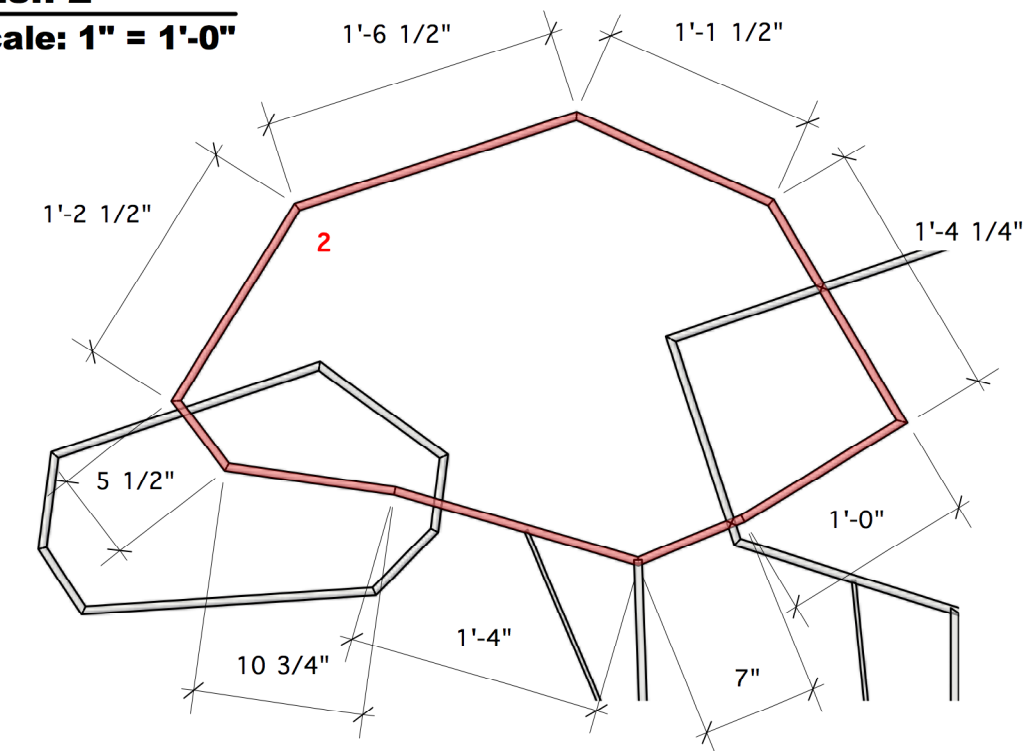


trees are all built out of steel - the vertical post is 1/2" steel tube, top bush is 1/4" steel rod, weld together

D-2 bush 1
Scale: 1" = 1'-0"



D-3 bush 2
Scale: 1" = 1'-0"



University of New Mexico, Department of Theatre and Dance

6-1
 Of 8

Milkwood
 Date: July 28, 2018

UNDER MILK WOOD
 Drafter: Inseung Park
 Scale: see each viewpoint

Director: Kate Clarke
 Scenic Designer: Inseung Park
 Technical Director: Michael Hidalgo