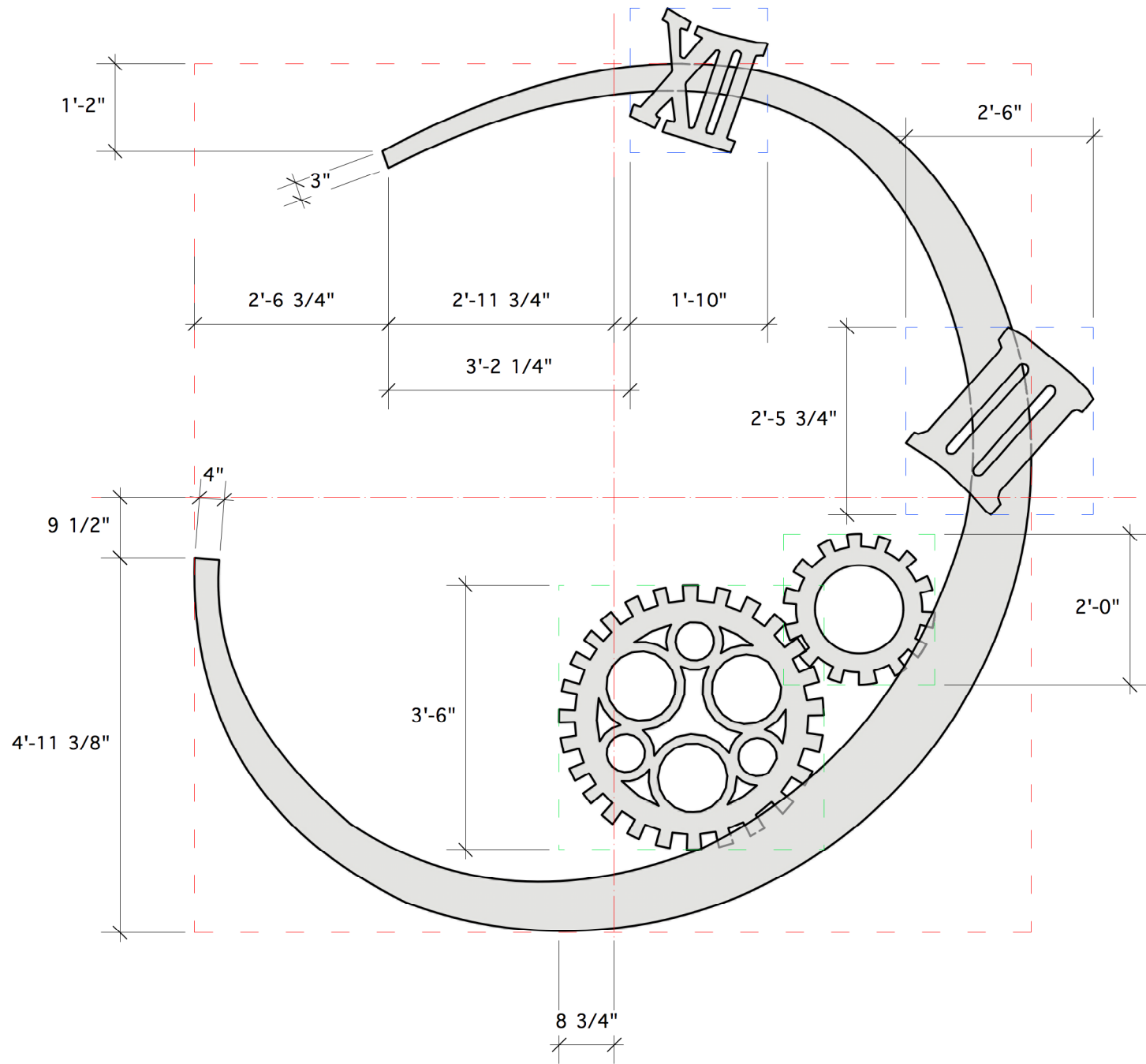
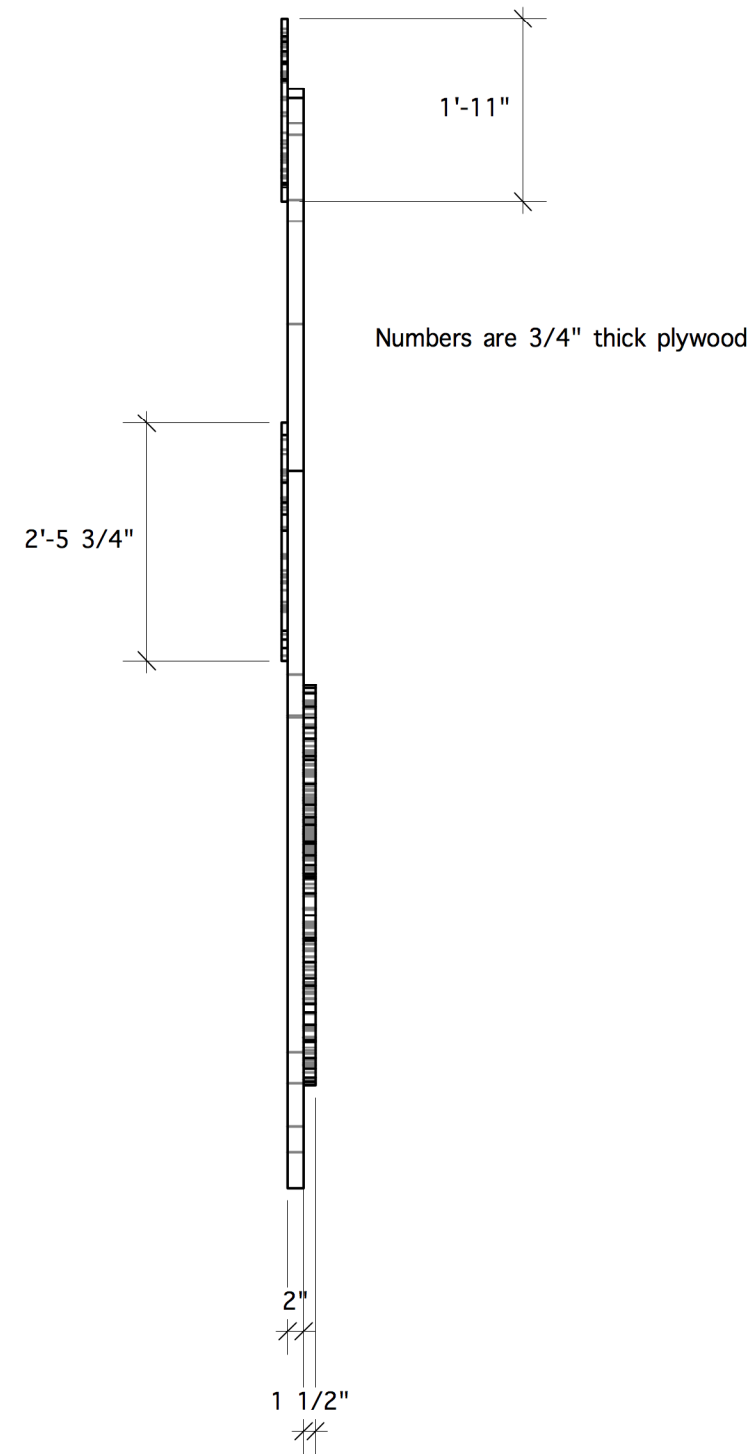


C-1 **clock**
Scale: 1/2" = 1'-0"



- router around the clock to diminish hard edges
- numbers (roman 12 & 3) and gears can be cut in CNC router
- see drawing 5-2 for numbers and gear details

C-2 **clock: right**
Scale: 1/2" = 1'-0"



University of New Mexico, Department of Theatre and Dance

Clock

UNDER MILK WOOD

5-1

Director: Kate Clarke
Scenic Designer: Inseung Park
Technical Director: Michael Hidalgo

Date: July 28, 2018

Drafter: Inseung Park

Of 8

Scale: 1/2" = 1'-0"