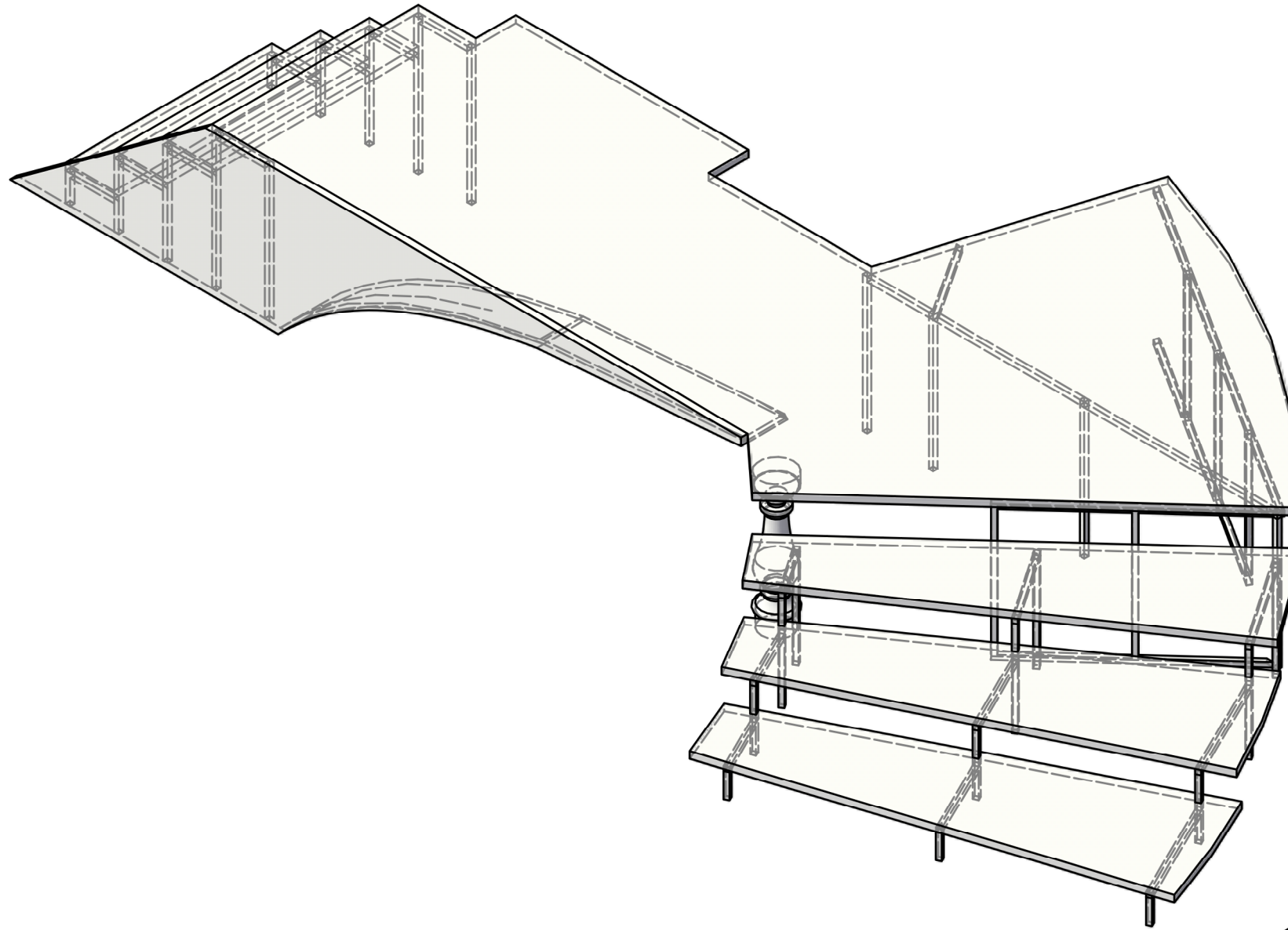
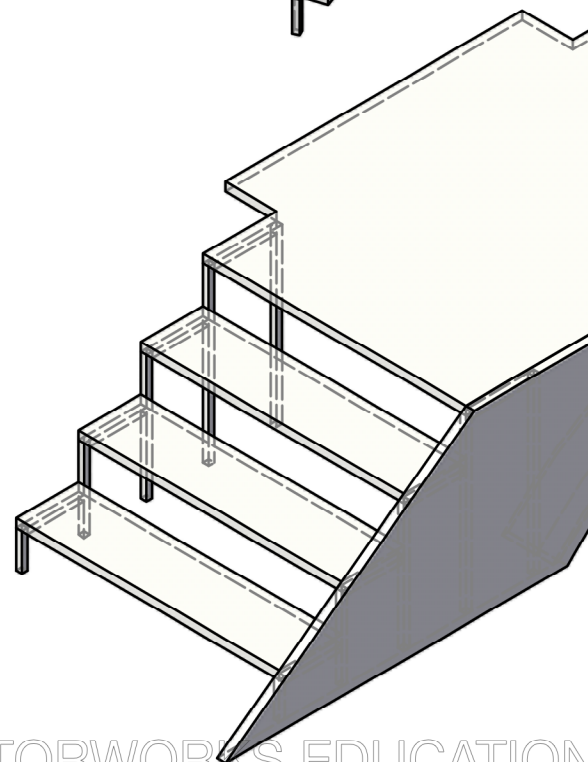
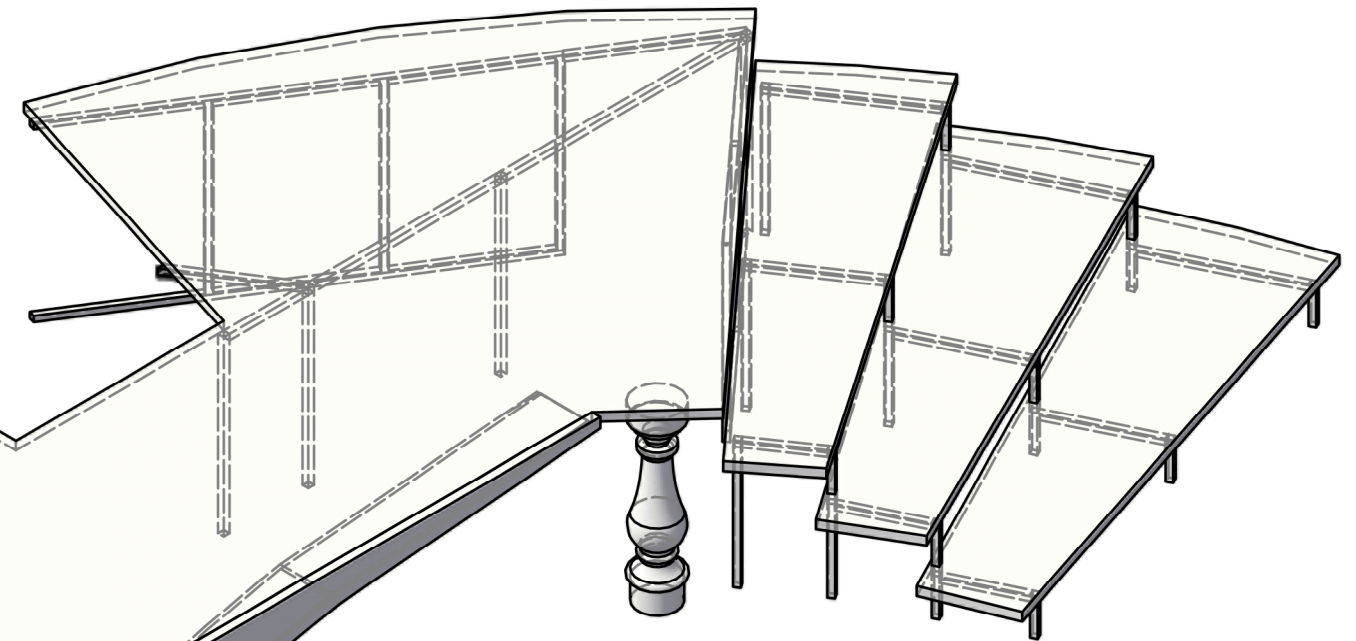


A-4 platform 1: right isometric
Scale: 1/2" = 1'-0"



A-5 platform 1: left isometric
Scale: 1/2" = 1'-0"



University of New Mexico Theatre and Dance

Under Milk Wood

director Kate Clarke
scenic designer Inseung Park
tech director Michael Hidalgo
drafter Inseung Park

platform 1: isometric view (L & R)

scale: 1/2"=1'-0" date: July 28, 2018

3-2

of 8